

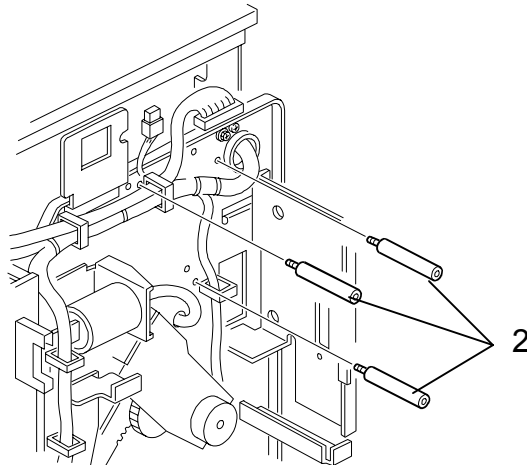
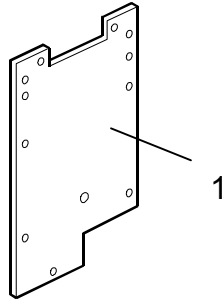
Model: PRIPORT UC5/UC5e/UC6		Date: 20-Feb-02	No: M-C930-001
Modified Article: Changing for PinkGold Connection		Prepared by:	
From: Priport Service Planning Section		M. Ohtsubo	
Classification: <input type="checkbox"/> Parts catalog correction <input type="checkbox"/> Vendor change <input type="checkbox"/> To meet standards <input type="checkbox"/> To facilitate assembly <input checked="" type="checkbox"/> To improve reliability () <input type="checkbox"/> Part standardization <input type="checkbox"/> Other ()			
Model Name: UC5, UC5e, UC6			

Note: The following information is for the **UC5e** (#C931-59) only.

To install the UC5e in the PinkGold (C238 model), the following parts have been changed or added. For the Installation Procedure, please refer to RTB #RC930001.

Old #	New #	Description	Qty	Int	Page	Index
VU5E05406	VU5E05408	Mounting Plate (C235/C237/C238)	1	X/O		1
(VU5E05405)		Stand Off M4 x 45 mm (C238)	2 -> 3			2
	VU5E05399	26-Pin MPU Cable (C238)	1			3
	VU5E05411	Securing screws Mounting Plate M4 x 6 mm	3			*4

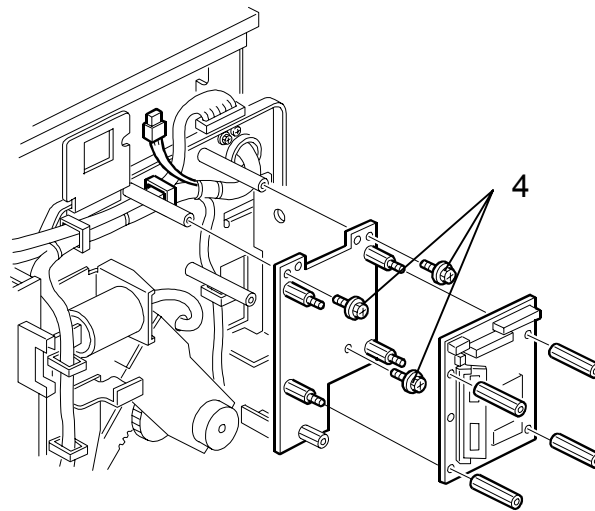
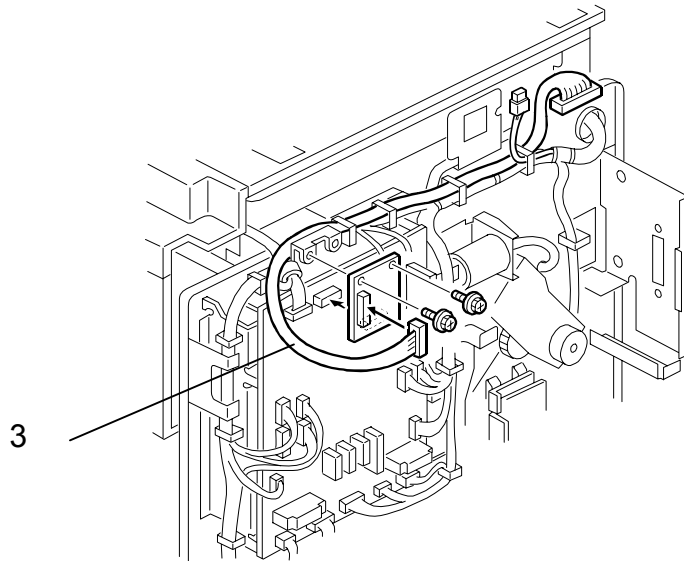
*: These screws were added from January 2002. The other parts listed above were already added from August 2001.



Model: PRIPORT UC5/UC5e/UC6

Date: 20-Feb-02

No: M-C930-001



Model: PRIPORT UC5/UC5e/UC6**Date:** 20-Feb-02**No:** M-C930-001**CUT IN SERIAL NUMBERS**

Model Name	Destination	Code	Serial Number
UC5	USA	C930-52	-
UC5	EU	C930-53	-
UC5e	-	C931-59	August, 2001
UC6	-	C935-99	-